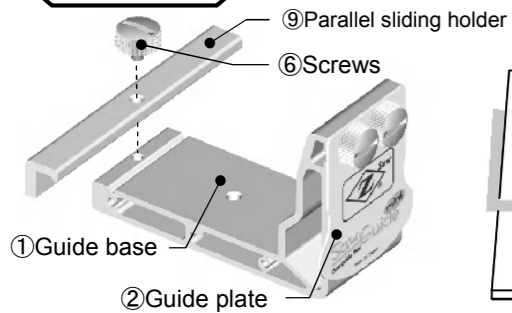
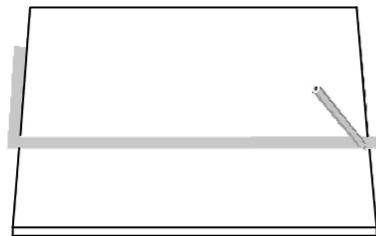


How to use Saw Guide Mini #4

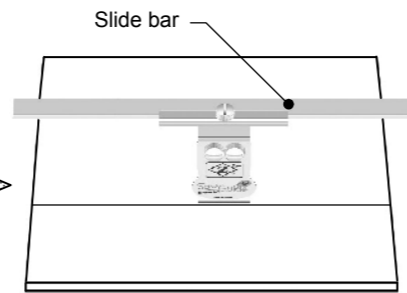
Wide board



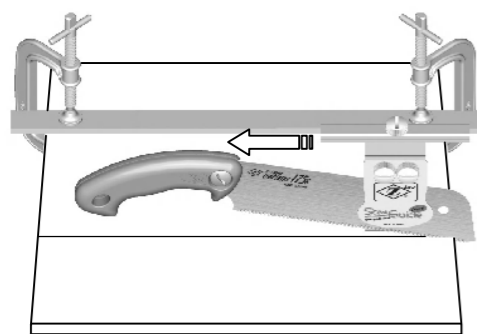
Detach Positioning holder and fix Parallel sliding holder by a screw.



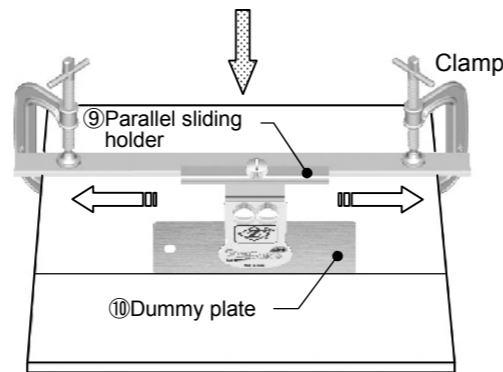
Mark the position where you want to cut.



Prepare a straight edge or a straight wooden piece to be used as Slide bar.



Replace Dummy plate with Z-Saw UNIVERSAL S-175, then start sawing by moving the guide backward.

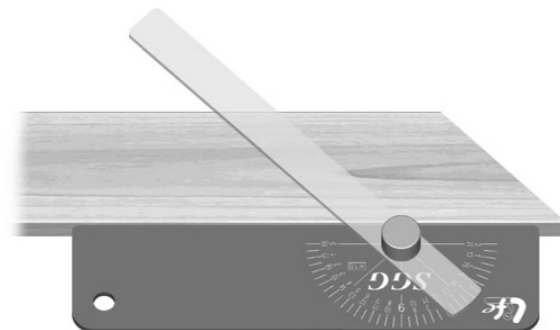


Insert Dummy plate into the gap between Guide base and Guide plate, and adjust the position of the Guide and Slide bar to the mark of the lumber. Fix Slide bar to the board with clamps.

Saw Guide Mini optional parts

Saw guide gauge

This is a protractor for checking angles or marking.



Fix the angle with the center screw.



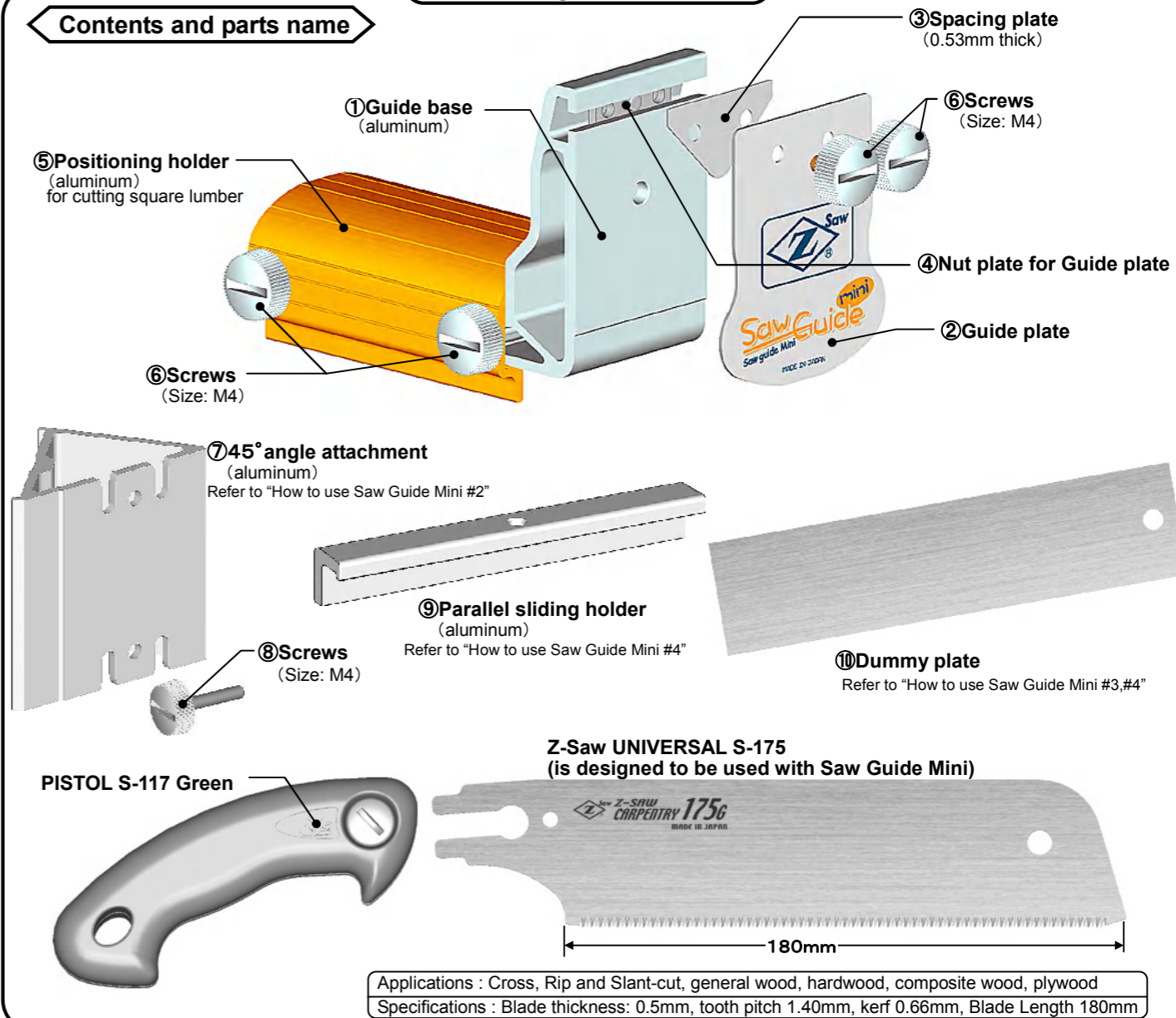
Instruction Sheet

Saw Guide mini

Saw guide Mini

Before using Saw Guide Mini

Contents and parts name



Applications : Cross, Rip and Slant-cut, general wood, hardwood, composite wood, plywood
Specifications : Blade thickness: 0.5mm, tooth pitch 1.40mm, kerf 0.66mm, Blade Length 180mm

Thank you for your purchase of Saw Guide Mini.

Please read this instruction carefully and keep it in good condition.



Caution :

- Do not drop the guide and the saw as damage to them may occur.
- Do not over tighten screws, as it may cause damage to screws, nuts or the guide.
- Saw Guide Mini can not be used with double saws or saws which has the blade thicker than 0.5mm.
- Always use Saw Guide Mini with Z-Saw UNIVERSAL S-175 or its spare blades.
- Do not use this product for a purpose for which it was not intended.

Notice :

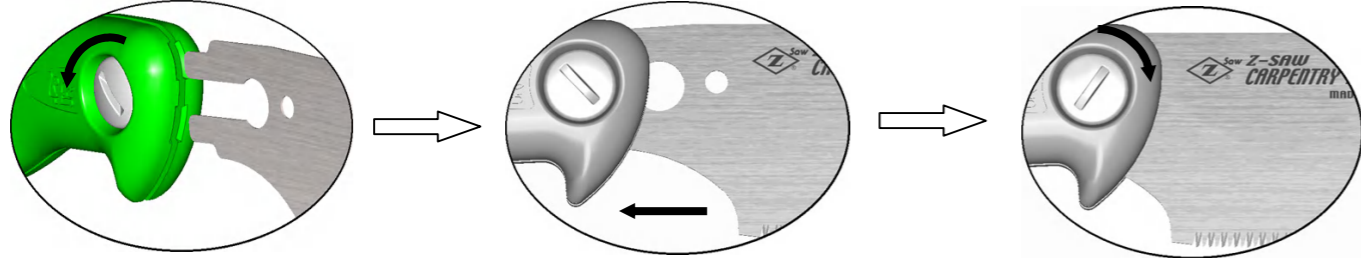
- Specifications may change without notice to improve quality.
- Copyright © 2003 Okada Hardware Manufacturing Company Limited. All rights reserved.

Okada Hardware Mfg. Co., Ltd.
561 Omura, Miki-shi, Hyogo, Japan 673-0404
TEL: 81-794-83-1111 / FAX: 81-794-83-5111
URL: <http://www.z-saw.co.uk> E-mail: sales@z-saw.co.uk

How to change blades

Caution : Blade edges are very sharp and always wear gloves or swathe blade with towel.

How to attach blade



Insert a blade into the gap of handle until the hole of the blade is completely hidden under the handle. Make sure that the blade is fit to the handle correctly and tighten lock screw.

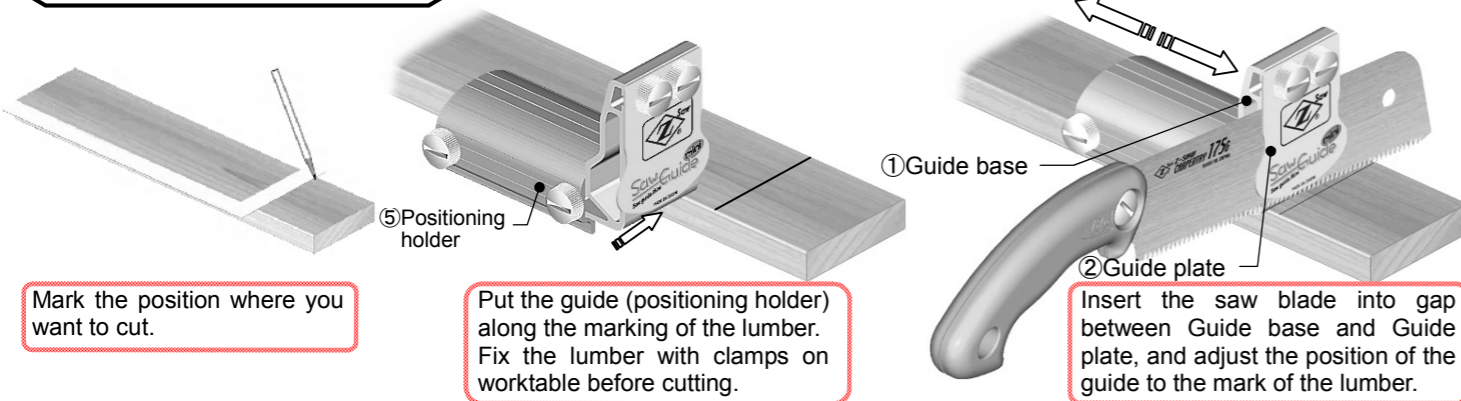
How to detach blade

Loosen lock screw by a coin or a screwdriver. (Blade can be replaceable without removing the lock screw from the handle.)

How to use Saw Guide Mini #1

Square Cut (square lumber)

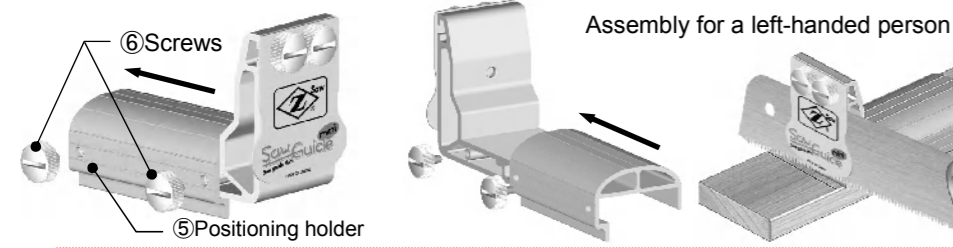
On sawing, keep the Positioning holder contacting firmly to the lumber.



Mark the position where you want to cut.

Put the guide (positioning holder) along the marking of the lumber. Fix the lumber with clamps on worktable before cutting.

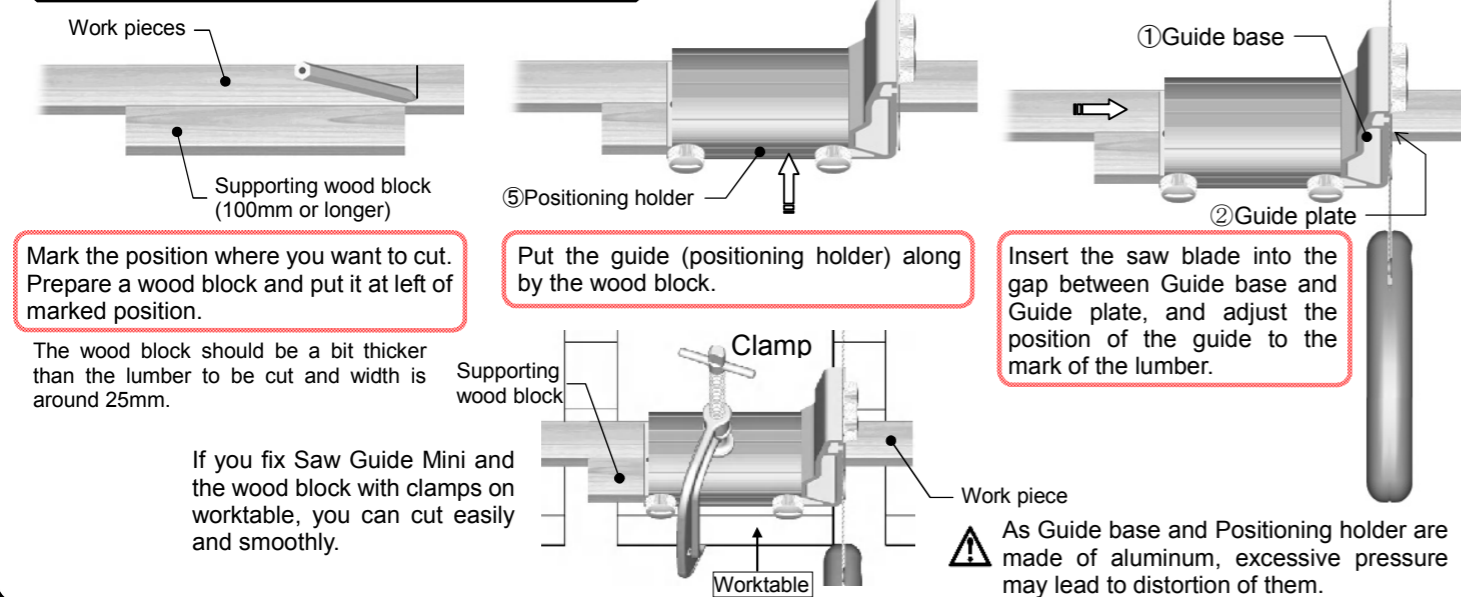
Insert the saw blade into gap between Guide base and Guide plate, and adjust the position of the guide to the mark of the lumber.



Tip on sawing.
Grab saw handle lightly with your forefinger riding on the side. Pull the saw with a light downward pressure in a full stroke. Lightly lift the saw in return so as to give little pressure on cutting teeth. Downward pressure can be adjusted by your forefinger.

For left-hander, Positioning holder can be put on the opposite side of the Guide base.

Square Cut (lumber width less than 25mm.)



Mark the position where you want to cut. Prepare a wood block and put it at left of marked position.

The wood block should be a bit thicker than the lumber to be cut and width is around 25mm.

Put the guide (positioning holder) along by the wood block.

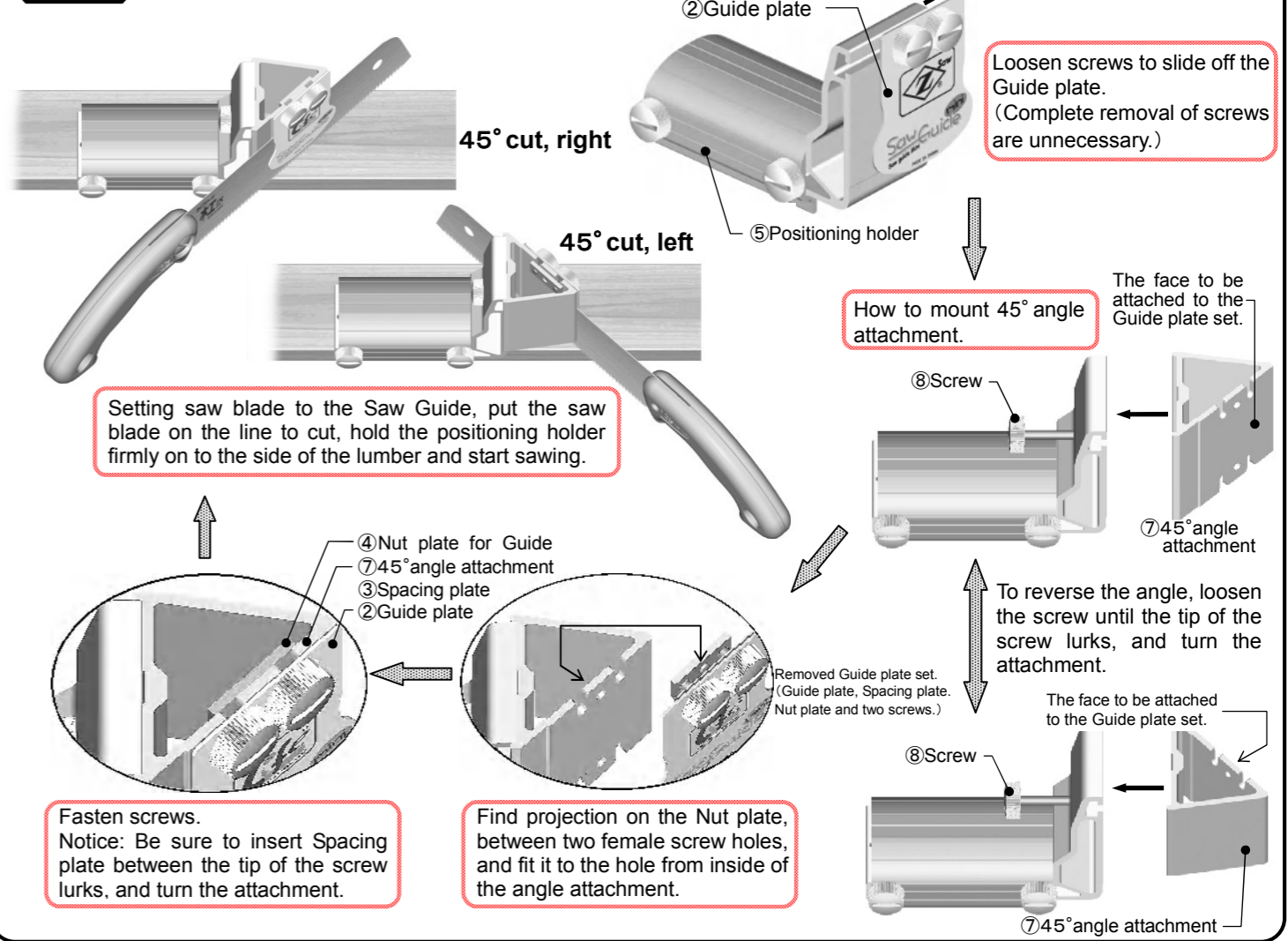
Insert the saw blade into the gap between Guide base and Guide plate, and adjust the position of the guide to the mark of the lumber.

If you fix Saw Guide Mini and the wood block with clamps on worktable, you can cut easily and smoothly.

Caution As Guide base and Positioning holder are made of aluminum, excessive pressure may lead to distortion of them.

How to use Saw Guide Mini #2

45° cut



Loosen screws to slide off the Guide plate. (Complete removal of screws are unnecessary.)

Setting saw blade to the Saw Guide, put the saw blade on the line to cut, hold the positioning holder firmly on to the side of the lumber and start sawing.

Fasten screws. Notice: Be sure to insert Spacing plate between the tip of the screw lurks, and turn the attachment.

Find projection on the Nut plate, between two female screw holes, and fit it to the hole from inside of the angle attachment.

How to mount 45° angle attachment.

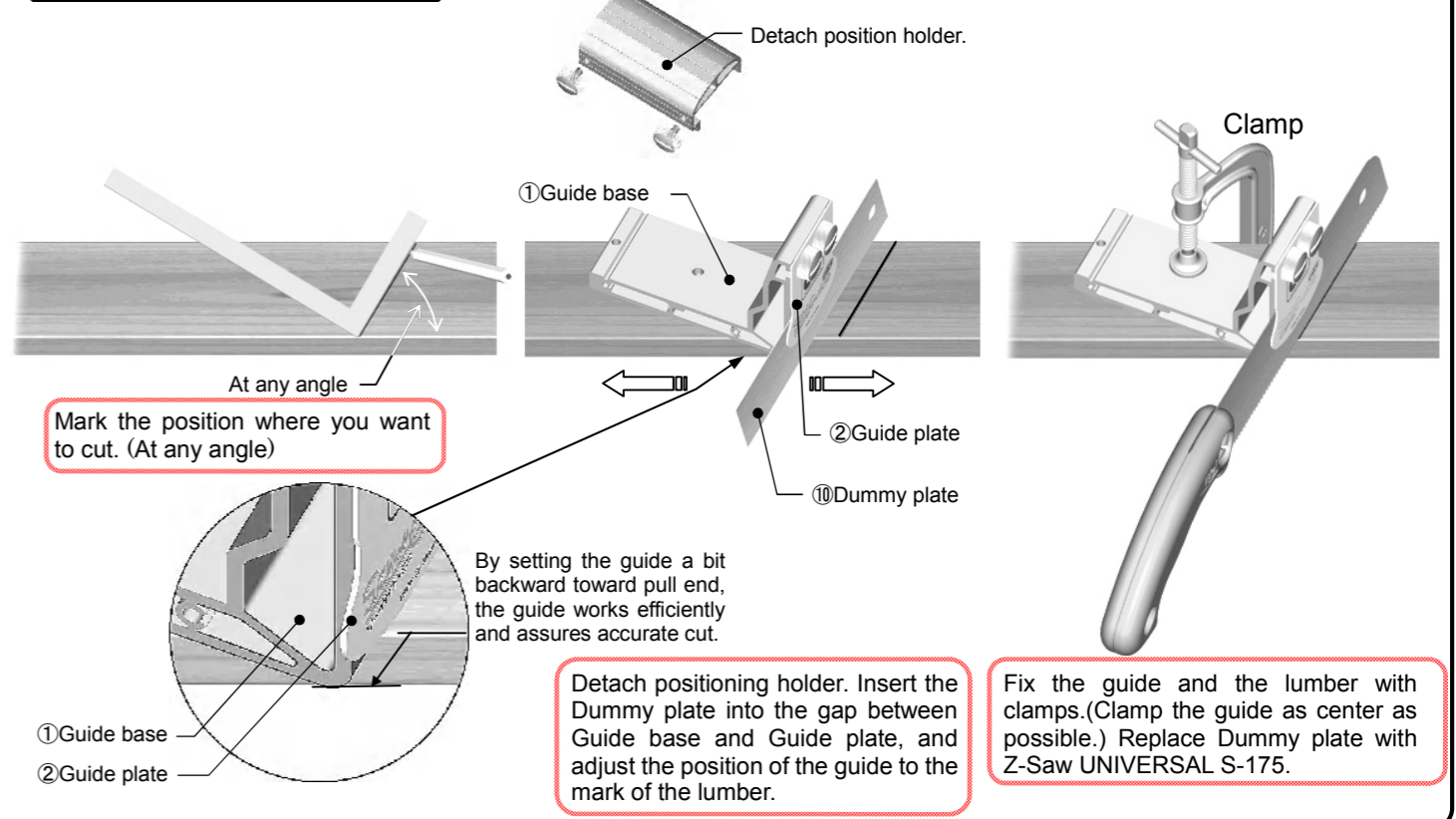
To reverse the angle, loosen the screw until the tip of the screw lurks, and turn the attachment.

The face to be attached to the Guide plate set.

The face to be attached to the Guide plate set.

How to use Saw Guide Mini #3

Random cuts along the marks



Mark the position where you want to cut. (At any angle)

By setting the guide a bit backward toward pull end, the guide works efficiently and assures accurate cut.

Detach positioning holder. Insert the Dummy plate into the gap between Guide base and Guide plate, and adjust the position of the guide to the mark of the lumber.

Fix the guide and the lumber with clamps. (Clamp the guide as center as possible.) Replace Dummy plate with Z-Saw UNIVERSAL S-175.