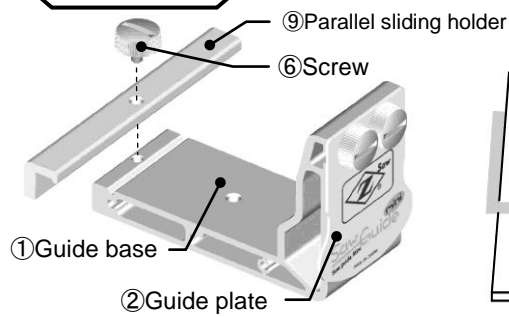
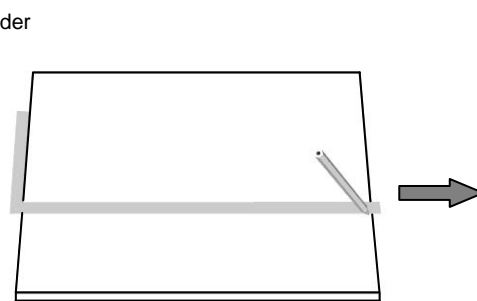


SECTION 4

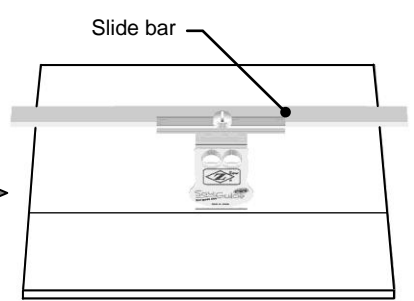
Wide Board



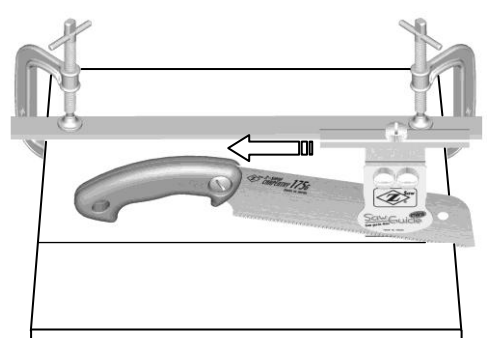
Detach the orange hand grip and attach the Parallel sliding holder with a screw.



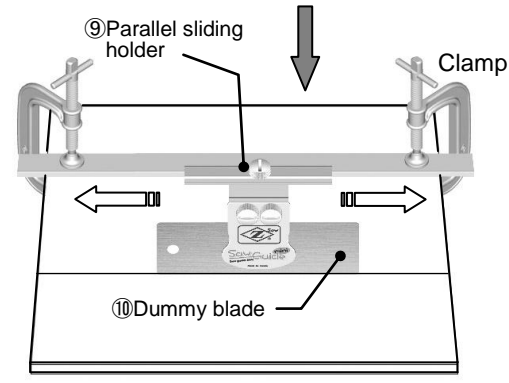
Mark the position where you want to cut.



Prepare a straight aluminum bar or a straight wooden piece as a slide bar.

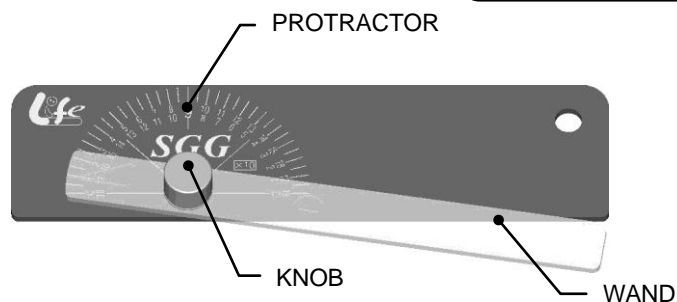


Replace Dummy blade with Z-Saw Universal S-175, then start sawing by moving the guide backward. Ensure that the parallel sliding holder remains firmly against the slide bar.

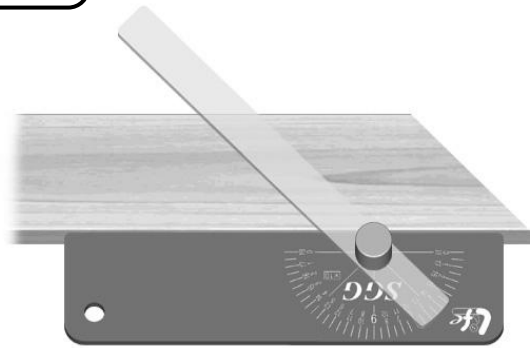


Insert Dummy blade into the spacing between Guide base and Guide plate, and adjust the position of the Guide and Slide bar. Make sure the Dummy blade accurately sits on the scribe line. Then, clamp the slide bar firmly.

SAW GUIDE GAUGE



Adjustable KNOB can be loosened to measure angles and fastened to transfer the angles.



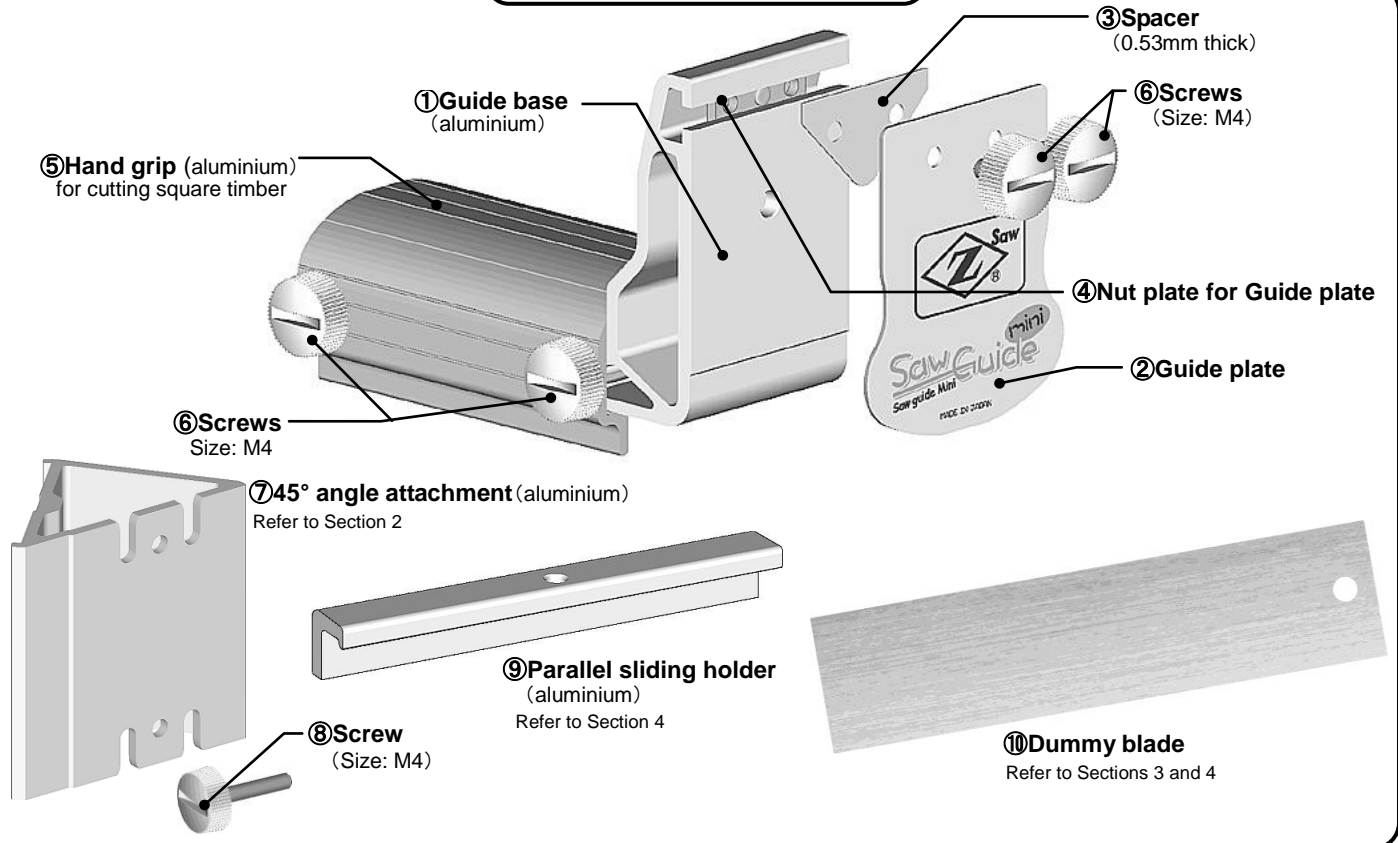
Long and thin Wand on the gauge makes angle transfer more accurate and easier.



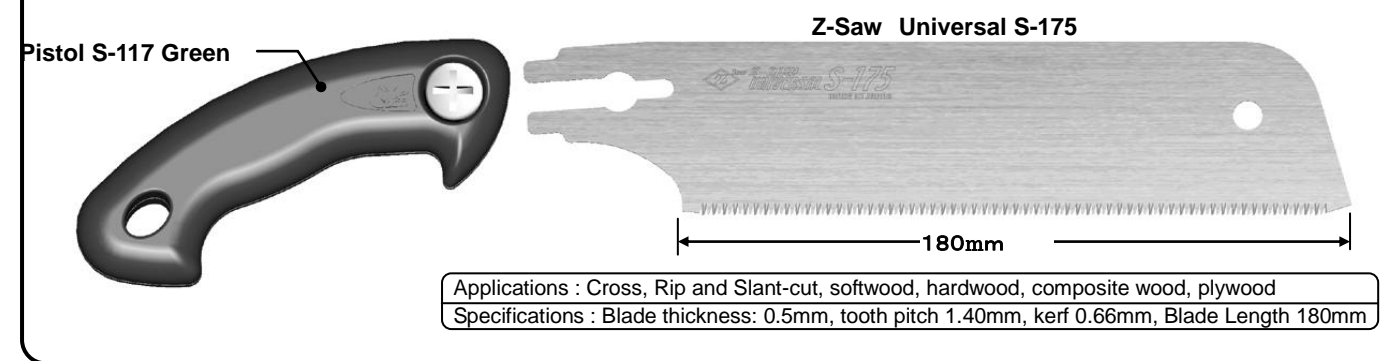
Instruction Sheet

Saw Guide mini

SAW GUIDE MINI KIT



SAW - DESIGNED FOR USE WITH SAW GUIDE MINI



Caution:

Do not drop the guide or the saw as damage to them may occur.
 Do not over tighten screws, as this may cause damage to screws, nuts or the guide.
 Saw Guide Mini cannot be used with double-edged saws or saws which have blades thicker than 0.5mm.
 Always use your Saw Guide Mini with Z-Saw Universal S-175.
 Do not use this product for any purpose for which it was not intended.

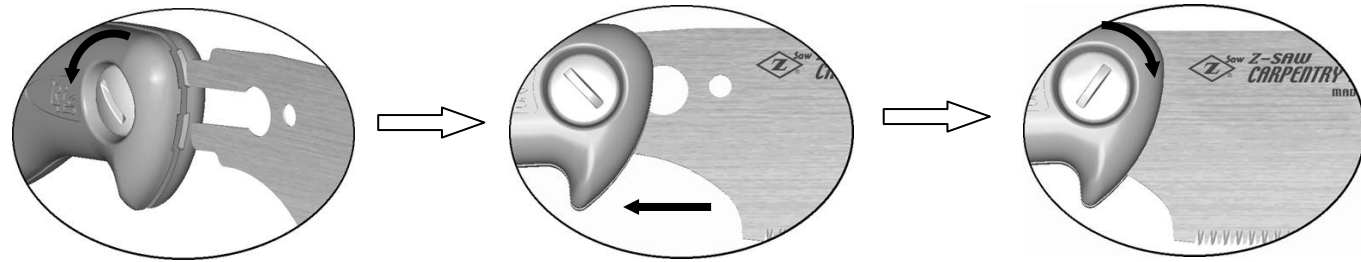
Notice:

Specifications may change without notice to improve quality.
 Copyright © 2003 Okada Hardware Manufacturing Company Limited. All rights reserved.

BLADE REPLACEMENT

Caution: Be sure to always wear gloves or wrap the blade with a cloth while replacing saw blade.

How to attach blade



Insert the blade into the handle until the slit in the blade is completely covered, then screw to fix the blade firmly.
 ※ Make sure the blade is fitted correctly.

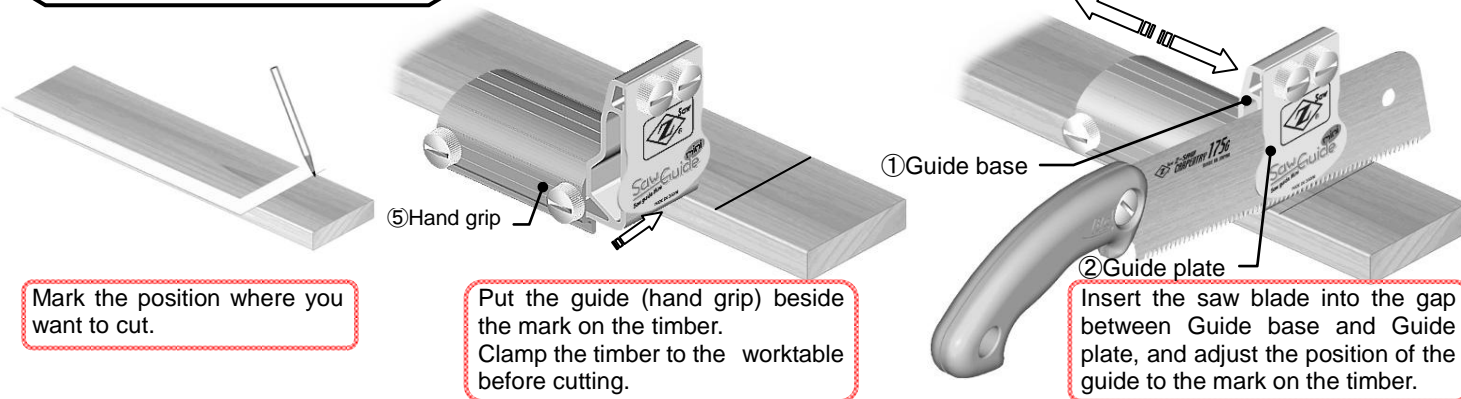
How to detach blade

Loosen screw with a coin or a screwdriver. (Blade can be replaced without completely removing the screw from the handle.)

SECTION 1

Square cut (square timber)

On sawing, hold the Hand grip firmly onto the timber.

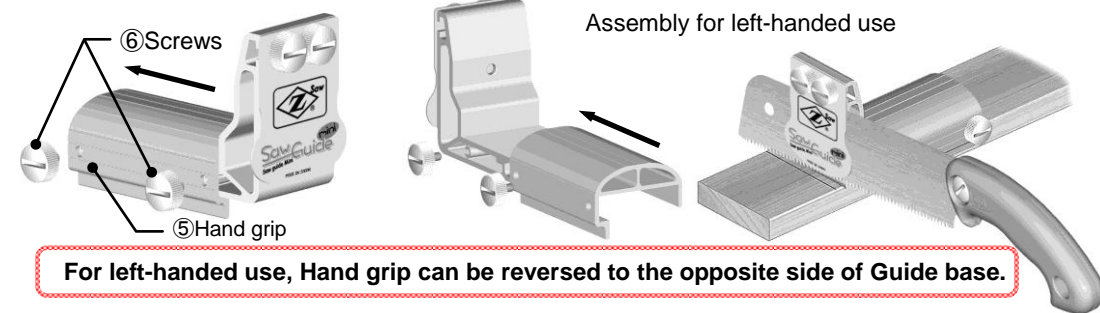


Mark the position where you want to cut.

Put the guide (hand grip) beside the mark on the timber. Clamp the timber to the worktable before cutting.

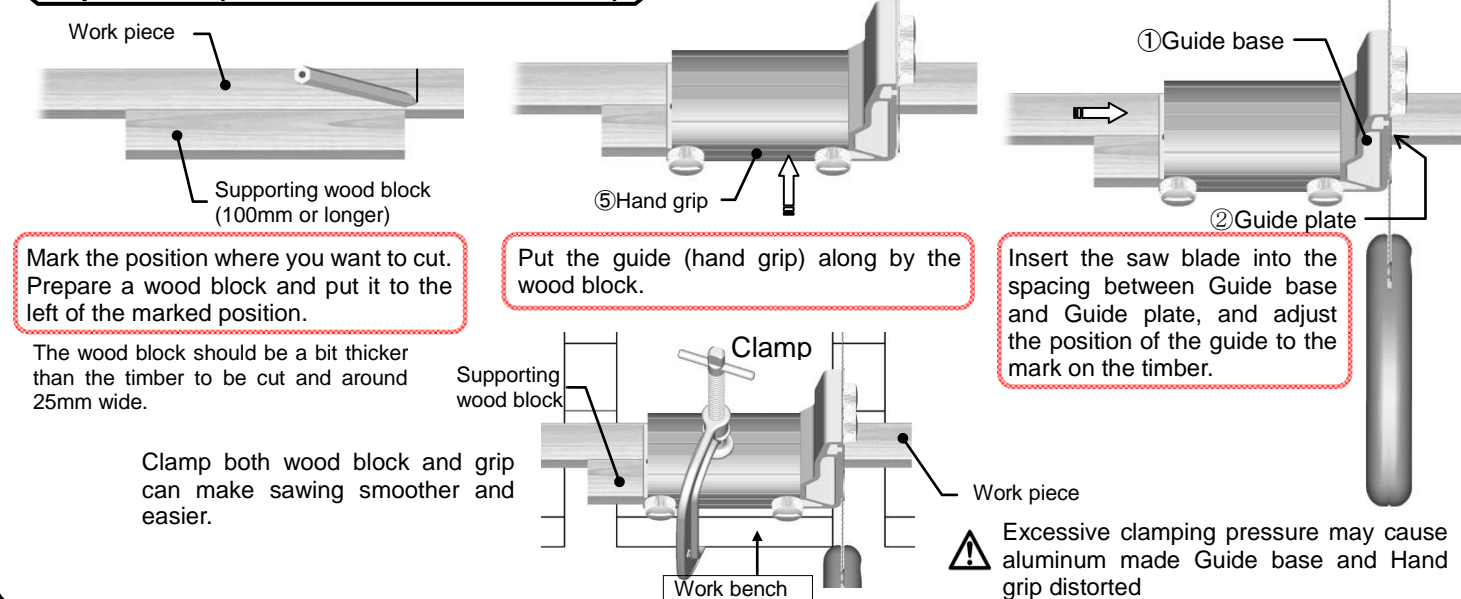
Insert the saw blade into the gap between Guide base and Guide plate, and adjust the position of the guide to the mark on the timber.

Assembly for left-handed use



For left-handed use, Hand grip can be reversed to the opposite side of Guide base.

Square Cut (timber narrower than 25mm)



Mark the position where you want to cut. Prepare a wood block and put it to the left of the marked position.

Put the guide (hand grip) along by the wood block.

Insert the saw blade into the spacing between Guide base and Guide plate, and adjust the position of the guide to the mark on the timber.

The wood block should be a bit thicker than the timber to be cut and around 25mm wide.

Clamp both wood block and grip can make sawing smoother and easier.

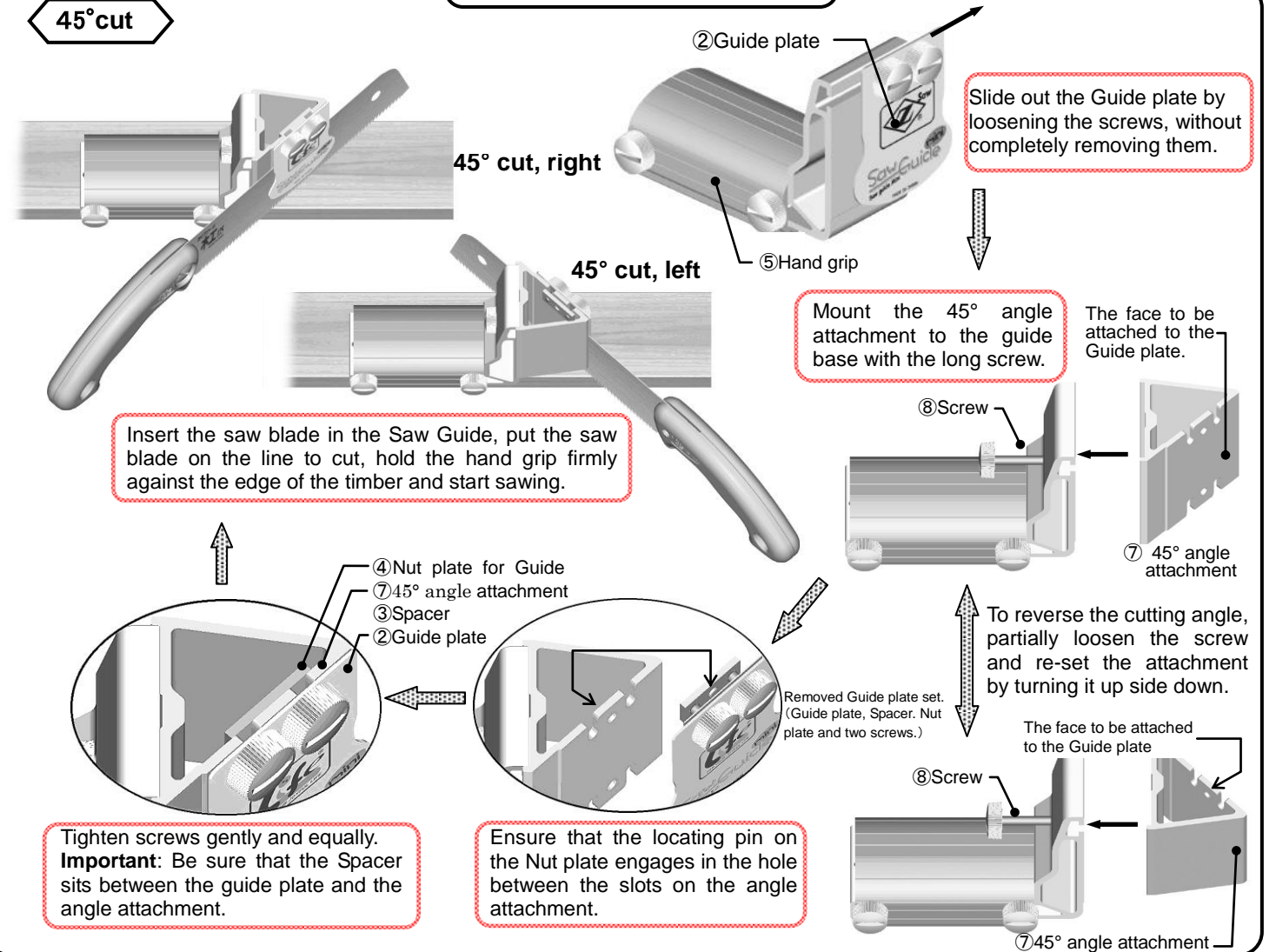
Excessive clamping pressure may cause aluminum made Guide base and Hand grip distorted.

SAWING TIPS

Hold the saw handle lightly with your forefinger riding on the side. Pull the saw with a light downward pressure in a full stroke. Lightly lift the saw on the return stroke so as to minimise pressure on cutting teeth. Downward pressure can be adjusted with your forefinger.

SECTION 2

45° cut



Slide out the Guide plate by loosening the screws, without completely removing them.

Insert the saw blade in the Saw Guide, put the saw blade on the line to cut, hold the hand grip firmly against the edge of the timber and start sawing.

Tighten screws gently and equally. **Important:** Be sure that the Spacer sits between the guide plate and the angle attachment.

Ensure that the locating pin on the Nut plate engages in the hole between the slots on the angle attachment.

Mount the 45° angle attachment to the guide base with the long screw.

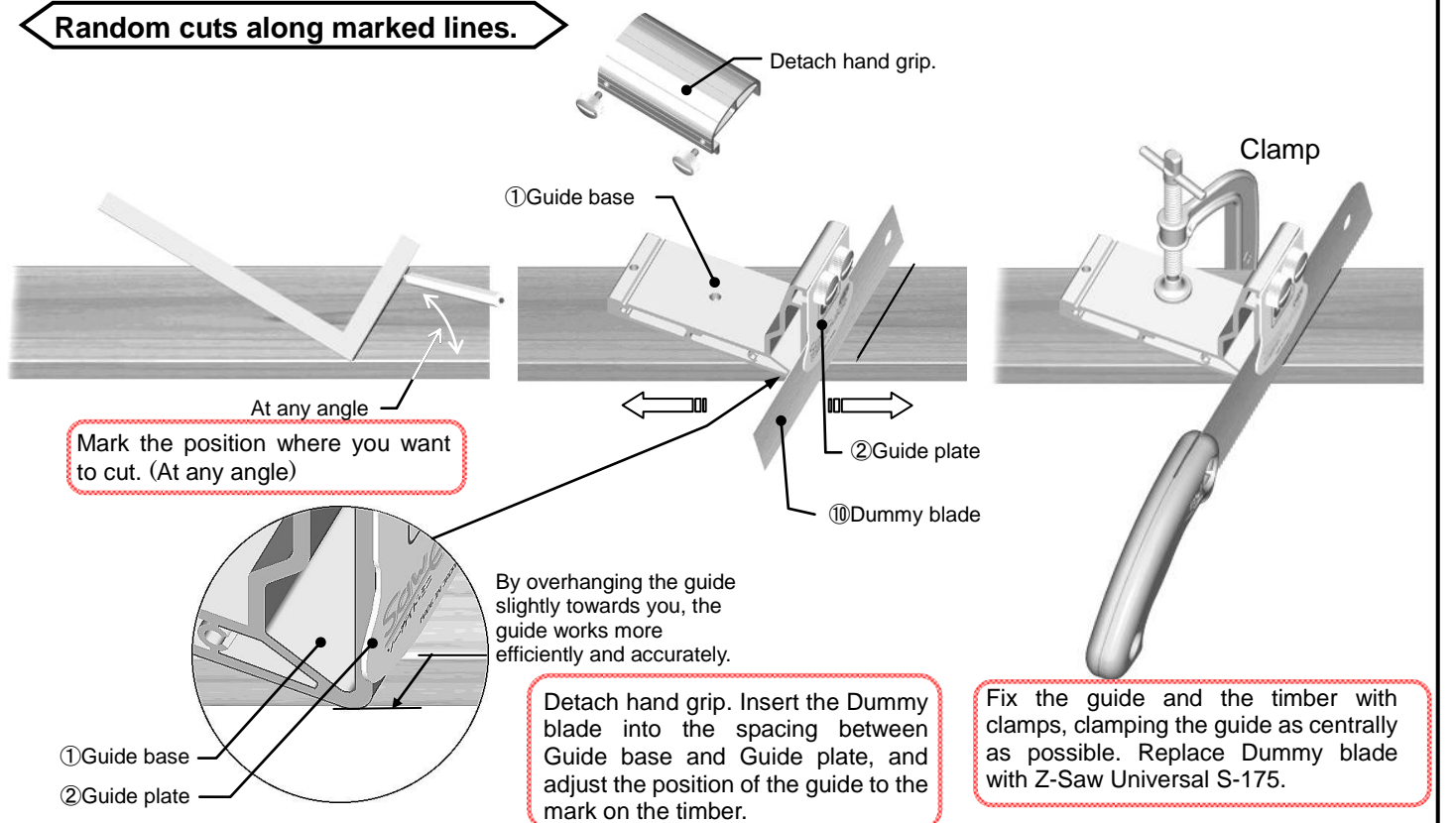
The face to be attached to the Guide plate.

To reverse the cutting angle, partially loosen the screw and re-set the attachment by turning it up side down.

The face to be attached to the Guide plate

SECTION 3

Random cuts along marked lines.



Mark the position where you want to cut. (At any angle)

By overhanging the guide slightly towards you, the guide works more efficiently and accurately.

Detach hand grip. Insert the Dummy blade into the spacing between Guide base and Guide plate, and adjust the position of the guide to the mark on the timber.

Fix the guide and the timber with clamps, clamping the guide as centrally as possible. Replace Dummy blade with Z-Saw Universal S-175.