

Oh, did you make these?



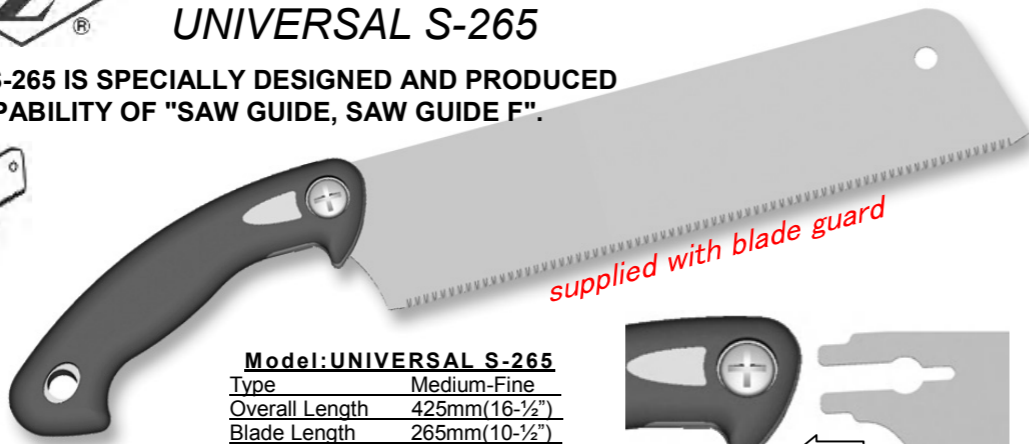
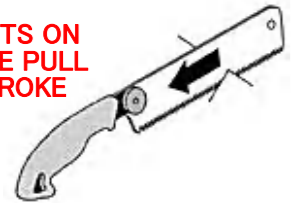
These are actually made by using Z-SAW UNIVERSAL S-265 & Saw Guide F.



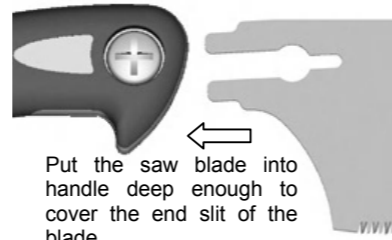
Z-Saw
UNIVERSAL S-265

Z-SAW UNIVERSAL S-265 IS SPECIALLY DESIGNED AND PRODUCED
MAXIMIZING THE CAPABILITY OF "SAW GUIDE, SAW GUIDE F".

CUTS ON
THE PULL
STROKE



Model: UNIVERSAL S-265	
Type	Medium-Fine
Overall Length	425mm(16-1/2")
Blade Length	265mm(10-1/2")
Blade Thickness	0.60mm(0.024")
Kerf	0.92mm(0.037")
Pitch	14TPI



Put the saw blade into handle deep enough to cover the end slit of the blade.

Cutting on the pull-stroke prevents blade from buckling and binding, allows blade to be thin. The thinner blade removes less material, makes sawing easier, faster and more accurate!

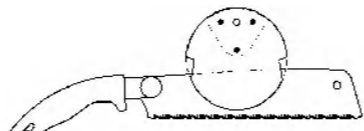
ADVANTAGES OF Z-SAW UNIVERSAL S-265

- THE HIGHEST QUALITY BLADE IS DURABLE, FLEXIBLE AND RUST RESISTANT.
- SPECIAL CUTTING EDGE DESIGNED FOR RIP, CROSS & SLANT CUTS.
- EASY & QUICK REPLACEMENT BLADE STYLE (Convenient for tool box storage).
- NON-SLIP ELASTOMER COVERED GRIP HANDLE.

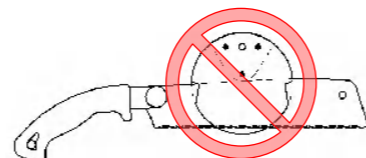
Thank you for your purchase of Saw Guide F.
Please read this instruction carefully and keep it in good condition.

Caution

- Do not tighten screw too strong. It may damage hex screw or T-shape hex wrench.
- Teeth should always stay out of the saw guide plate. Otherwise teeth edge will be damaged by insides of saw guide plate. **See pictures right** →
- Do not tighten the knob too strong. It may be damaged.
- Wear safety goggles.



Teeth edges should always stay out of the saw guide plates.



Teeth edges touch inside of saw guide plates.

Notice

- Specification may change without notice to improve quality.
- The copyright belongs to Okada Hardware Manufacturing Company Limited.

Okada Hardware Mfg. Co., Ltd.
561 Omura, Miki-shi, Hyogo, Japan 673-0404
TEL: 81-794-83-1111 / FAX: 81-794-83-5111
URL: <http://www.z-saw.co.uk> E-mail: sales@z-saw.co.uk

TFE200508A



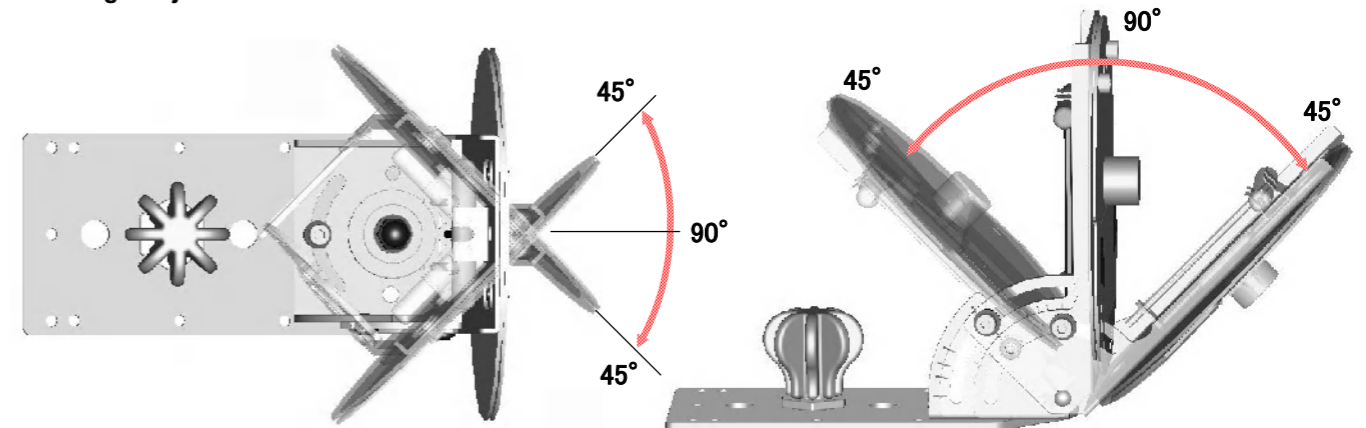
Saw Guide F

Instruction Sheet

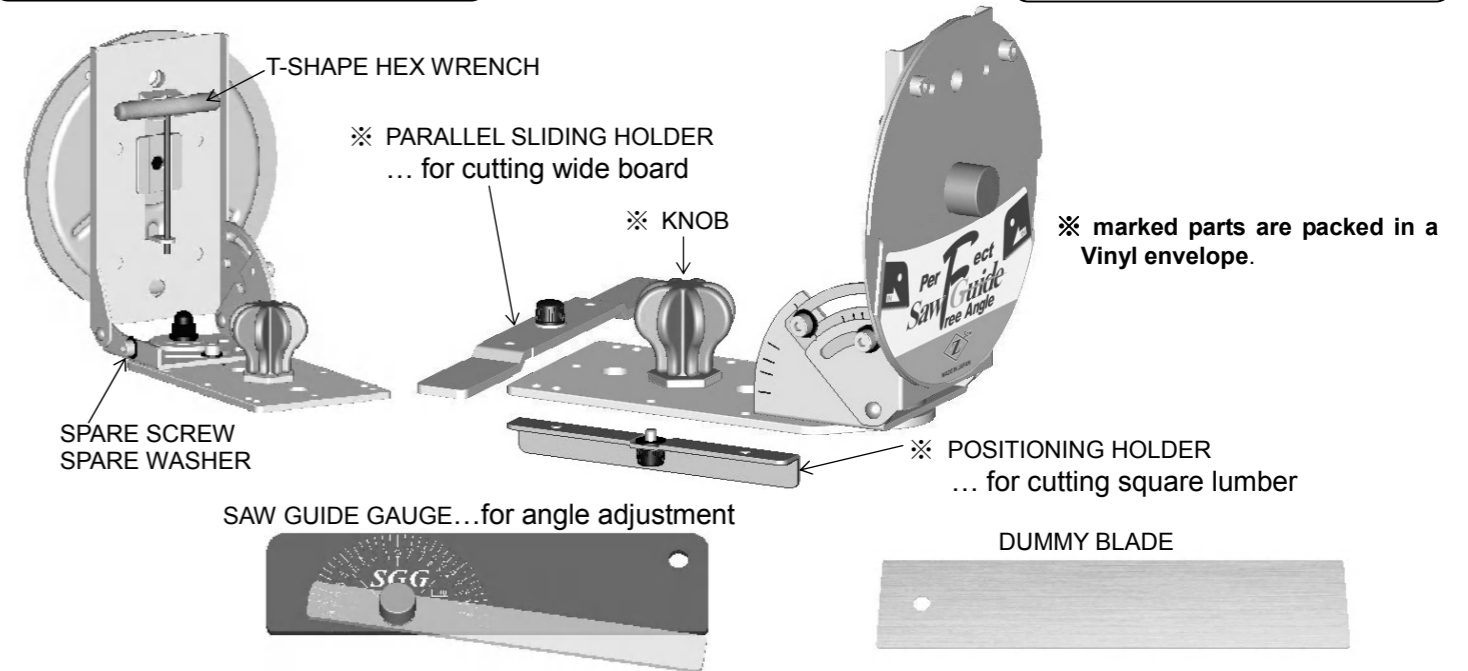
(How to Use)

Great Features:

This innovative Adjustable angle saw guide is designed for the exclusive use by Z-SAW UNIVERSAL S-265. Quick and very easy angle adjustment for sawing at any angle between both 45° right & left direction as well as both 45° front & back inclined direction. Rigidly and precisely constructed steel-made Adjustable angle saw guide ensures accurate straight cuts, and it can be held in a position firmly by hand supporting with positioning holders. Equally suited for left and right hand position. Long straight cut on a wide board is also easily possible by using the parallel sliding holder. Special Saw Guide Gauge and Dummy Blade for exact angle adjustment are available.

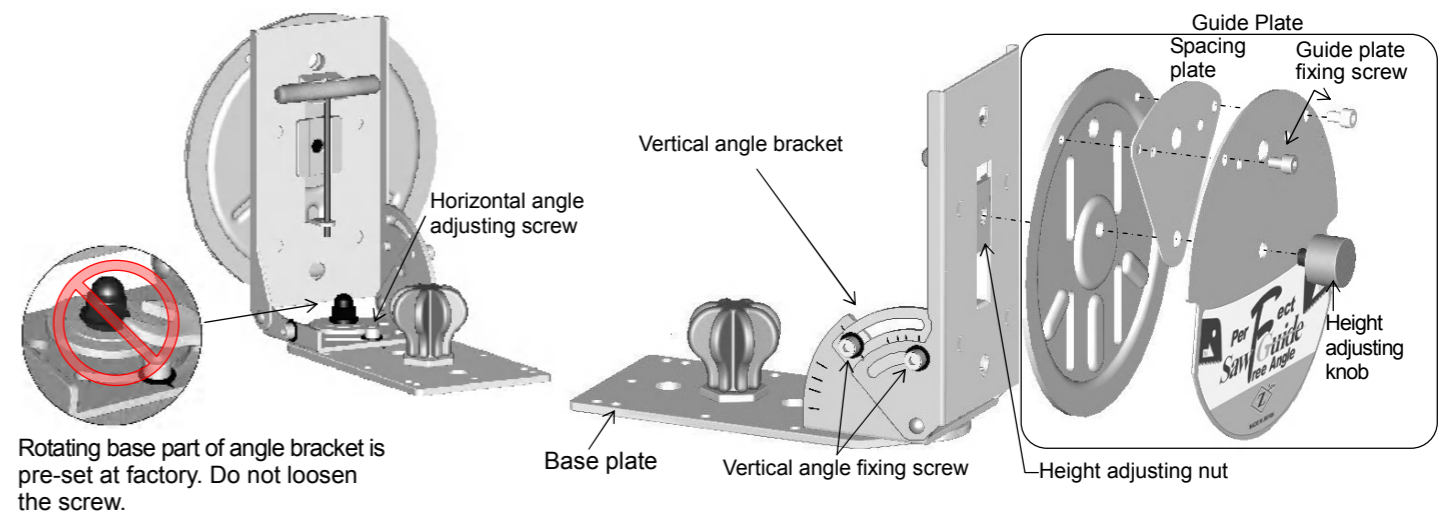


Contents of Saw Guide F



※ marked parts are packed in a Vinyl envelope.

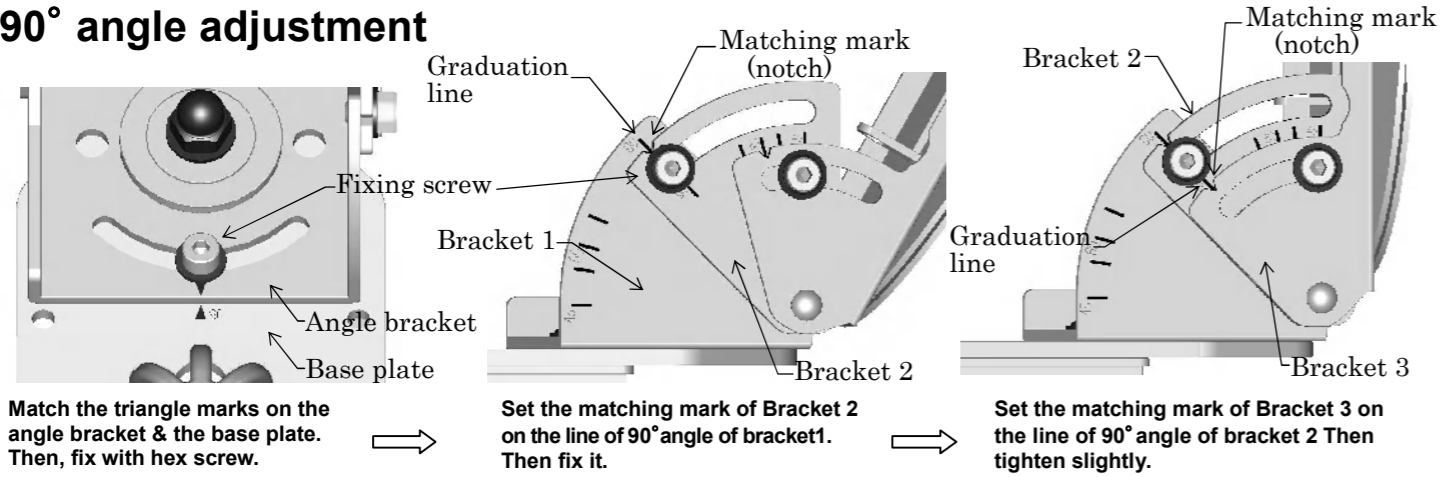
Construction of Parts



Rotating base part of angle bracket is pre-set at factory. Do not loosen the screw.

How to adjust angle

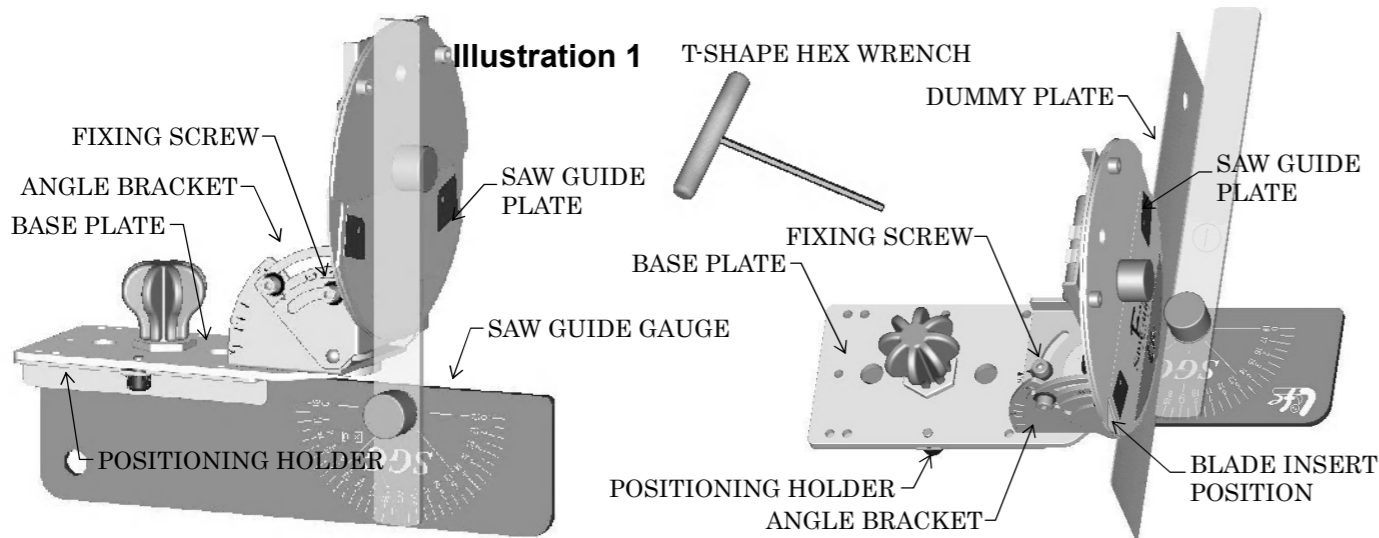
90° angle adjustment



Match the triangle marks on the angle bracket & the base plate. Then, fix with hex screw.

Set the matching mark of Bracket 2 on the line of 90° angle of bracket 1. Then fix it.

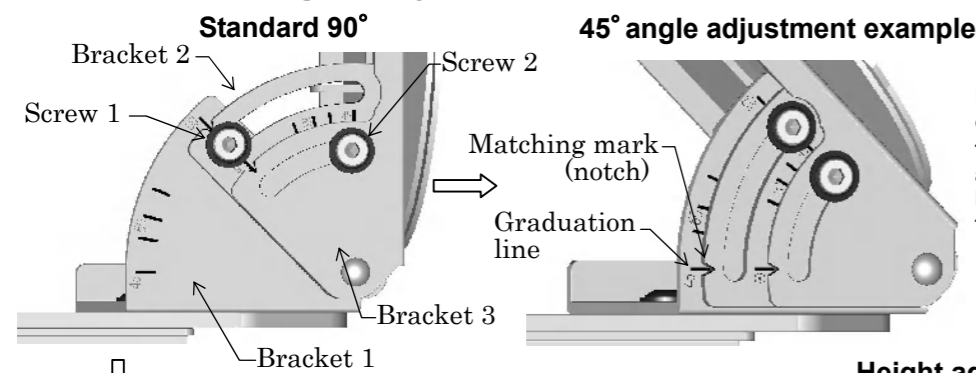
Set the matching mark of Bracket 3 on the line of 90° angle of bracket 2. Then tighten slightly.



Set the positioning holder. Adjust the saw guide gauge at 90°. Then, set it along with base plate & saw guide plate. Make final angle adjustment and fix with hex screw.

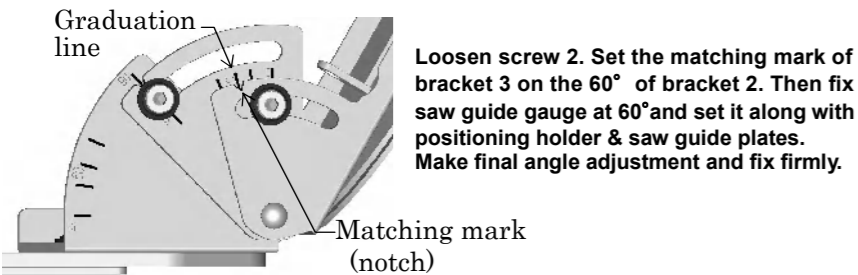
Set the positioning holder. Insert the dummy plate into the saw guide plates. Set the saw guide gauge along with positioning holder & dummy plate. Make final angle adjustment and fix with hex screws.

Compound angle adjustment



Loosen screw 1 first. Set the matching mark of bracket 2 on the 45° angle of bracket 1 and fix it. Set the saw guide gauge 45° and set it along with base & saw guide plate like illustration 1. Make final angle adjustment and fix with hex screw.

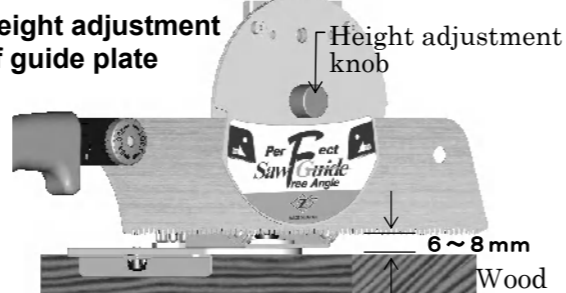
60° angle adjustment example



Loosen screw 2. Set the matching mark of bracket 3 on the 60° of bracket 2. Then fix saw guide gauge at 60° and set it along with positioning holder & saw guide plates. Make final angle adjustment and fix firmly.

Too tight hinge connection between angle bracket and base plate may loosen by applying some lubricants on pivots.

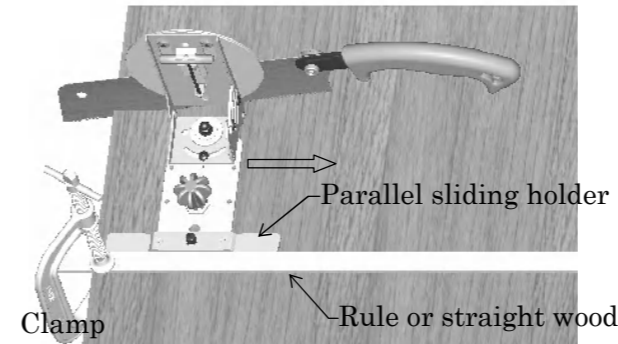
Height adjustment of guide plate



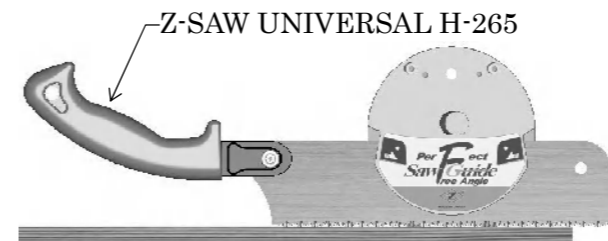
Insert saw blade into the gap between guide plates, then loosen height adjustment knob slightly. Recommended clearance between the surface of cutting object and the saw blade teeth is approx. 6-8mm (1/4-5/16"). Then fix the height of saw guide plates.

Variation of "Saw Guide F"

Square Cut

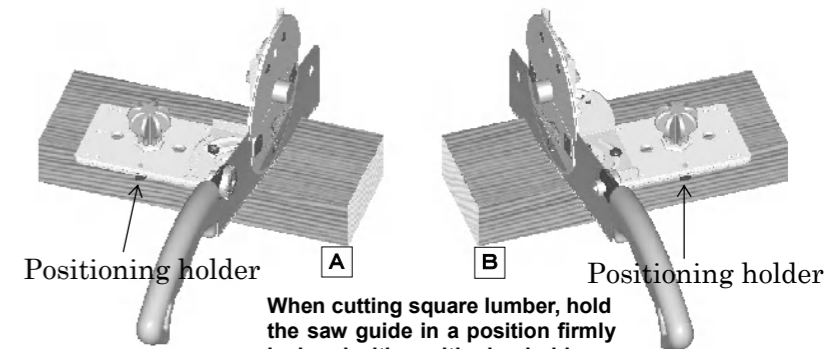


For cutting wide board, clamp rule or straight wooden piece. Set parallel sliding holder along the rule, then start sawing slowly by moving the saw guide backward.

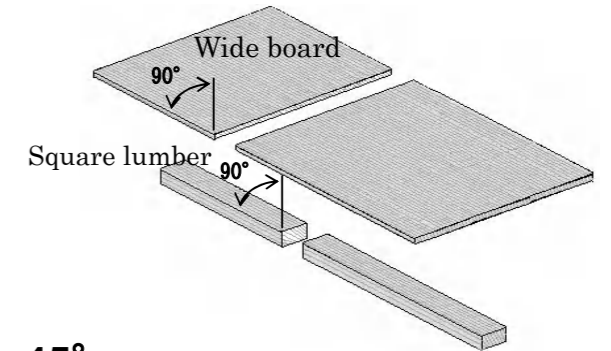


Handle can be reversed to provide hand clearance.

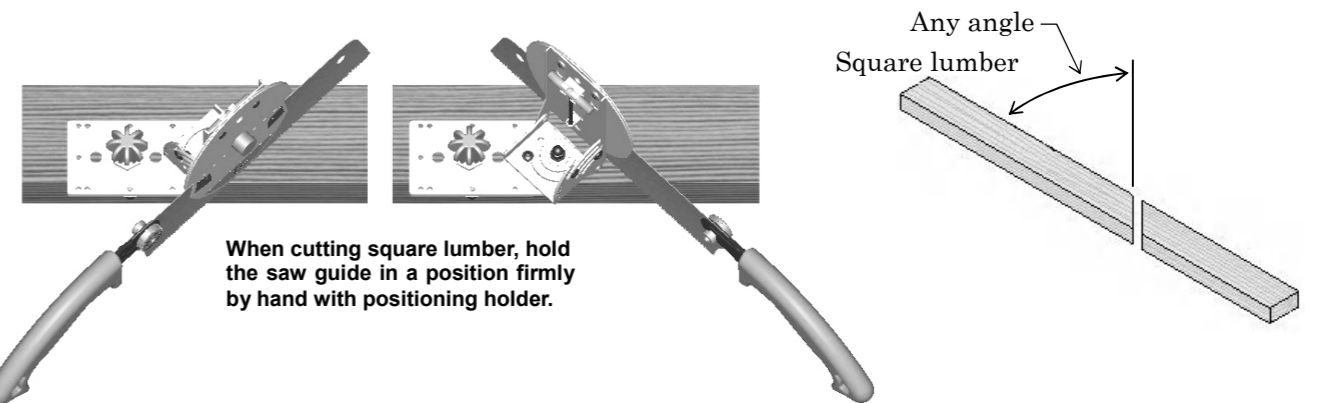
Illustration A shows right-handed use and B is for left-handed.



When cutting square lumber, hold the saw guide in a position firmly by hand with positioning holder.

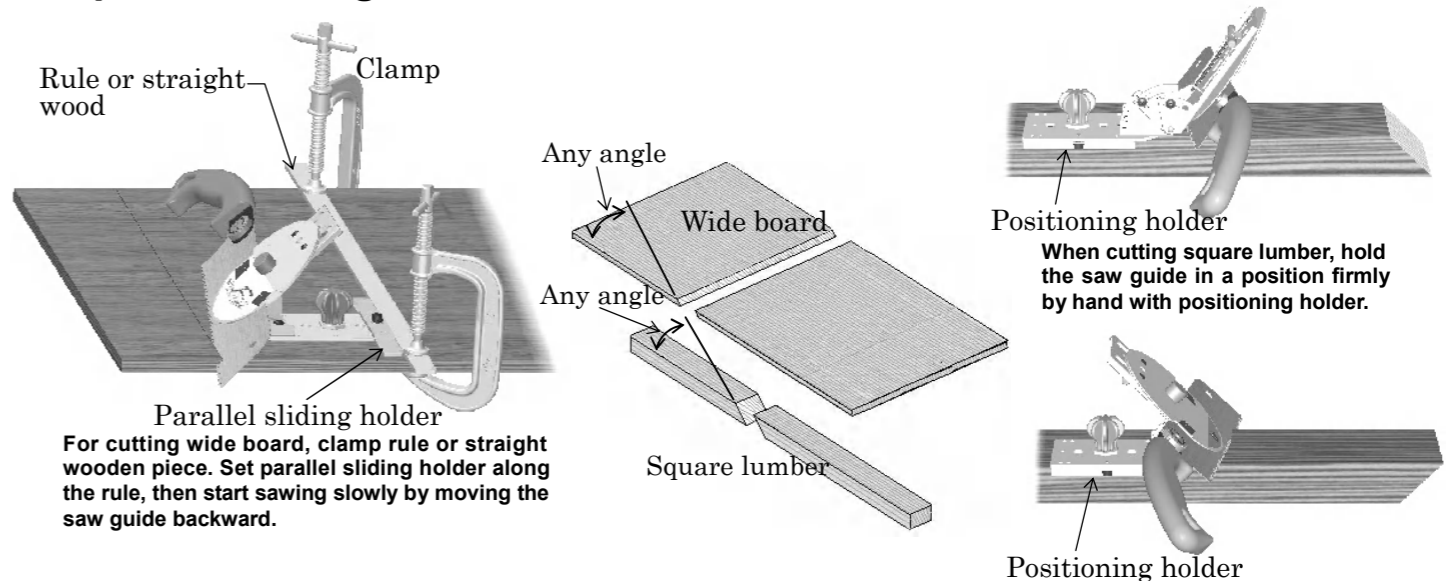


Right & Left angle cutting 45° ← 90° ⇒ 45°



When cutting square lumber, hold the saw guide in a position firmly by hand with positioning holder.

Compound cutting 45° ← 90° ⇒ 45°



For cutting wide board, clamp rule or straight wooden piece. Set parallel sliding holder along the rule, then start sawing slowly by moving the saw guide backward.

When cutting square lumber, hold the saw guide in a position firmly by hand with positioning holder.