



WOODWORK AUXILIARY TOOLS

VERTICAL 90°

BACK-INCLINED 45°



No.30106

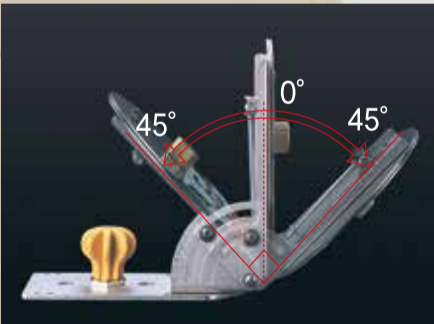
VERTICAL 45°



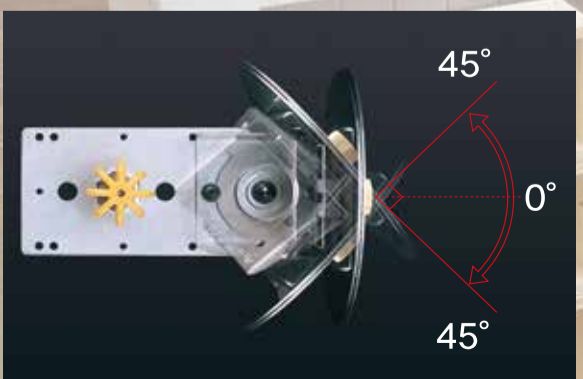
Saw Guide set

FREE ANGLE ADJUSTMENT

VERTICAL



HORIZONTAL



Okada Hardware Mfg. Co.,Ltd.

URL ; <http://www.z-saw.jp/en/>

E-mail : sales1@z-saw.co.jp